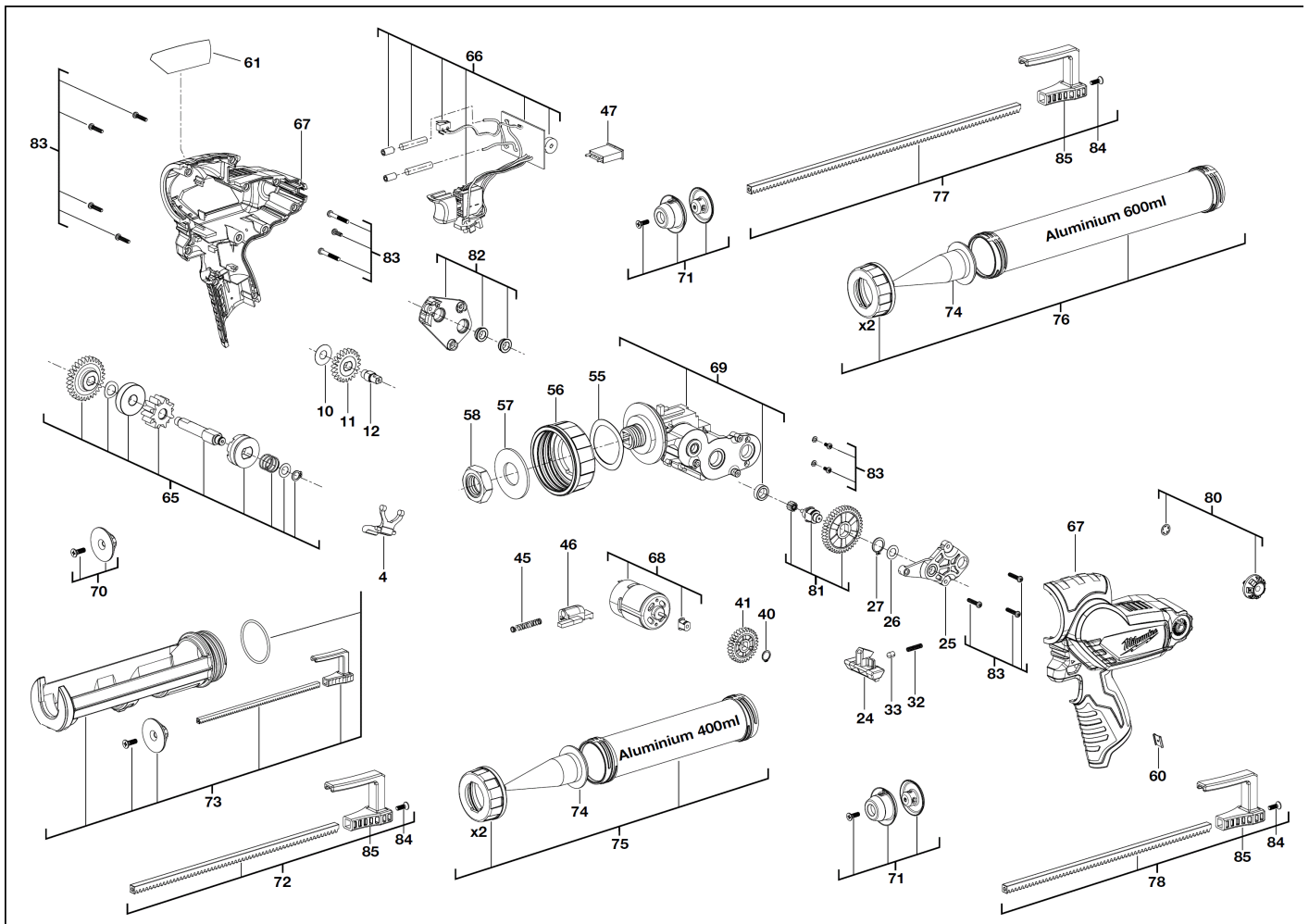


M12PCG 600A-201B CAULK ADHESI.GUN IN2

4933441670 - M12PCG/600A-201B - 4000431326





Position	Quantity	Description	Part number	EAN
0004	1	HOLDER	4931435591	4002395861217
0010	1	WASHER	4931435590	4002395861200
0011	1	WORM GEAR WHEEL	4931435589	4002395863990
0012	1	SHAFT	4931435588	4002395863983
0024	1	SWITCH	4931435587	4002395863976
0025	1	GEAR BOX COVER	4931435566	4002395862559
0026	1	WASHER	4931435567	4002395862566
0027	1	HOLDING RING	4931435568	4002395862573
0032	1	SPRING	692505001	4002395830763
0033	1	INDEXING SLEEVE	633289001	4002395831586
0040	1	RETAINING SPRING	4931435569	4002395862580
0041	1	INTERN.GEARED WHEEL	4931435570	4002395862597
0045	1	SPRING	4931435571	4002395863204
0046	1	LEVER	4931435592	4002395861224
0047	1	INDICATOR	4931435573	4002395863228
0055	1	LOCKING WASHER	4931435574	4002395863235
0056	1	CARTRIDGE HOLDER	522614001	4002395857487
0057	1	WASHER	633626001	4002395857524
0058	1	NUT	4931435575	4002395863242
0060	1	JOINING PART	631542001	4002395822591
0061	1	RATING PLATE	4931435576	4002395863259
0065	1	CLUTCH	4931435577	4002395863266
0066	1	SWITCH ASSEMBLY	4931435578	4002395863273
0067	1	HANDLE COMPL.	4931435579	4002395863280
0068	1	MOTOR ASSEMBLY	4931435580	4002395863297
0069	1	GEARWHEEL SET	4931435581	4002395863907
0074	1	NOZZLE CG Nozzle P1M	522618001	4002395857500
0080	1	THUMB WHEEL	4931435582	4002395863921
0081	1	GEARWHEEL SET	4931435583	4002395863938
0082	1	COVER	4931435584	4002395863945
0083	1	BOLT SET	4931435585	4002395863952
0084	1	SCREW	4931435586	4002395863969
0085	1	HANDLE	4931435572	4002395863211
0070	1	PISTON	44700330	45242260928
0071	1	PISTON	44700375	45242277438
0072	1	PLUNGER RODS CGUN PL ROD 310ML 12V P1M	4932430099	4002395377602
0073	1	CARTRIDGE HOLDER CGun 310ml carrg 12V	48080900	45242286355
0075	1	SET CGun 400ml alum P1M	4932352844	4002395375028
0076	1	SET CGUN 600ML ALUM P1M	4932352845	4002395375035
0077	1	PLUNGER RODS CGUN PL ROD 600ML 12V P1M	4932430101	4002395377626
0078	1	PLUNGER RODS CGUN PL ROD 400ML 12V P1M	4932430100	4002395377619